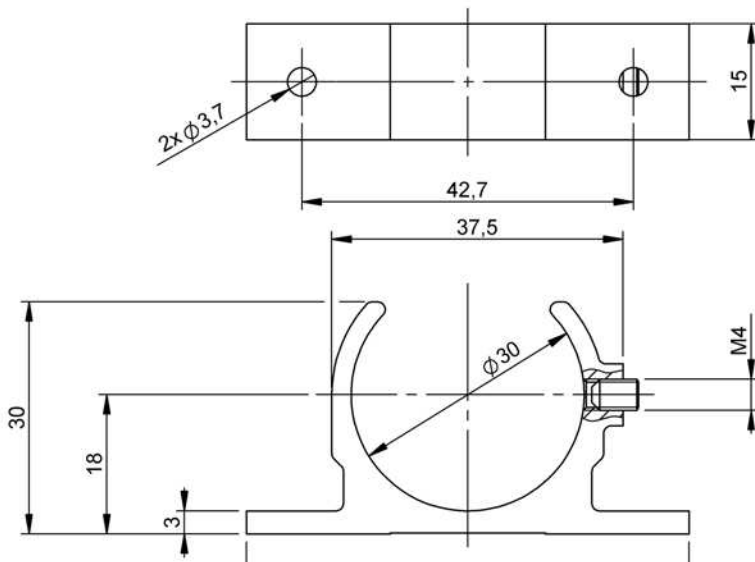




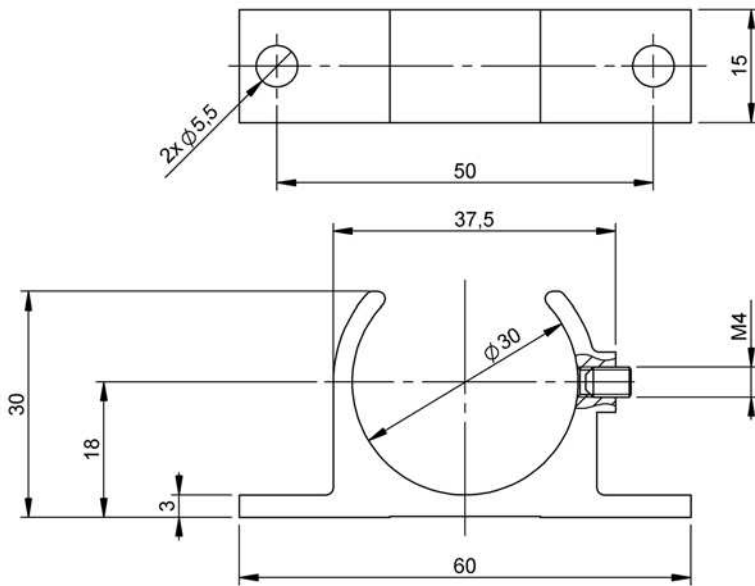
| | | |
|------------------------|------------------------------------|--|
| | BAM010W BTL6-A-MF01-A-43 | |
| Principle of operation | BTL control arm | |
| Material | Aluminum anodized | |
| Mounting | Through-hole 3.7 mm (2x) | |
| Productview | Page 534 | |



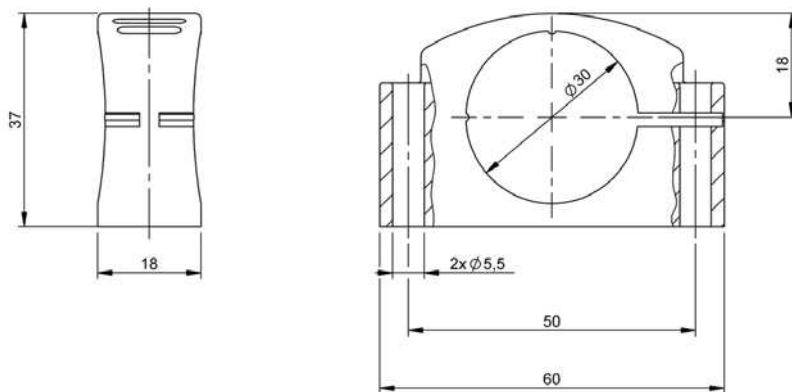
| BAM010Y BTL6-A-MF01-A-50 | BAM0110 BTL6-A-MF03-K-50 | BAM01N3 BTL6-A-MF07-A-PF/M5 |
|------------------------------------|------------------------------------|---------------------------------------|
| BTL control arm | BTL control arm | BTL control arm |
| Aluminum anodized | PA anodized | Aluminum anodized |
| Through-hole 5.5 mm (2x) | Through-hole 5.5 mm (2x) | 2x cylinder head screw ISO 4762 M5x25 |
| Page 534 | Page 534 | Page 535 |



BAM010W



BAM010Y



BAM0110



| | BAM014M BTL5-P-3800-2 | BAM014P BTL5-P-4500-1 | |
|------------------------|---------------------------------|---------------------------------|--|
| Principle of operation | BTL magnets, profile style | BTL magnets, profile style | |
| Version | floating | floating | |
| Material | POM | POM | |
| Dimension | 37.6 x 14 x 20 mm | 45 x 40 x 28 mm | |
| Distance min. to BTL | 0.1 mm | 0.1 mm | |
| Distance max. to BTL | 4 mm | 2 mm | |
| Ambient temperature | -40...85 °C | -40...60 °C | |
| Productview | Page 548 | Page 548 | |



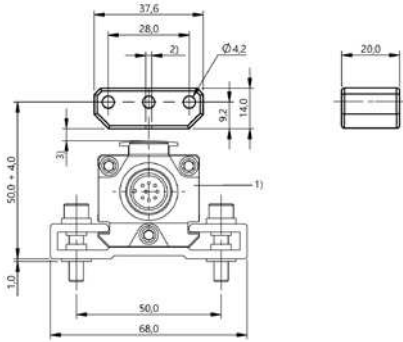
| | BAM014K BTL5-M-2814-1S | BAM014L BTL5-N-2814-1S | |
|------------------------|----------------------------------|----------------------------------|--|
| Principle of operation | BTL magnets, profile style | BTL magnets, profile style | |
| Version | captive | captive | |
| Material | Aluminum Iglidur J | Aluminum Iglidur J | |
| Dimension | 28 x 20.5 x 41 mm | 28 x 23 x 41 mm | |
| Distance min. to BTL | — | — | |
| Distance max. to BTL | — | — | |
| Ambient temperature | -40...85 °C | -40...85 °C | |
| Productview | Page 548 | Page 548 | |



| BAM014T BTL5-P-5500-2 | BAM014W BTL6-A-3800-2 | BAM014Z BTL6-A-3801-2 | BAM014H BTL5-F-2814-1S |
|----------------------------|----------------------------|----------------------------|----------------------------|
| BTL magnets, profile style | BTL magnets, profile style | BTL magnets, profile style | BTL magnets, profile style |
| floating | floating | floating | captive |
| POM | POM | POM | Iglidur J |
| 55 x 20 x 21 mm | 37.6 x 29 x 21 mm | 37.6 x 18.3 x 21 mm | 28 x 29.9 x 40 mm |
| 5.0 mm | 4.0 mm | 4.0 mm | — |
| 15 mm | 8 mm | 8 mm | — |
| -40...85 °C | -40...85 °C | -40...85 °C | -40...85 °C |
| Page 548 | Page 548 | Page 548 | Page 548 |

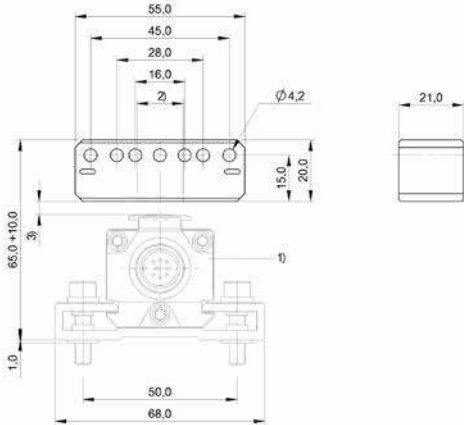


| BAM01FC BTL5-T-2814-1S | | | |
|----------------------------|--|--|--|
| BTL magnets, profile style | | | |
| captive | | | |
| Iglidur J | | | |
| 28 x 16.5 x 40 mm | | | |
| — | | | |
| — | | | |
| -40...85 °C | | | |
| Page 549 | | | |



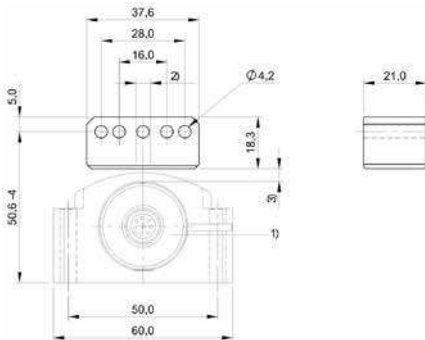
1) not included in scope of delivery, 2) Lateral offset, 3) Distance to BTL

BAM014M



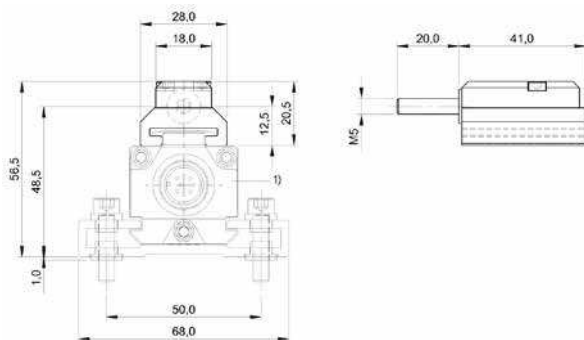
1) not included in scope of delivery, 2) Lateral offset, 3) Distance to BTL

BAM014T



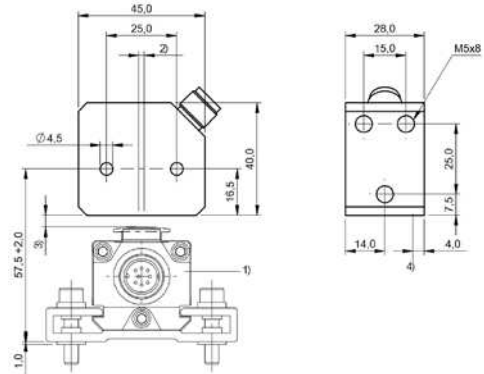
1) not included in scope of delivery, 2) Lateral offset, 3) Distance to BTL

BAM014Z



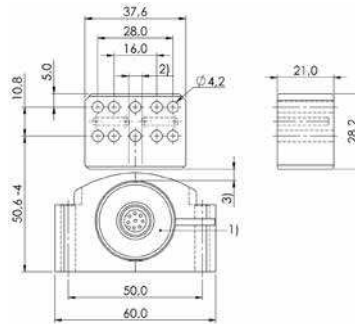
1) not included in scope of delivery

BAM014K



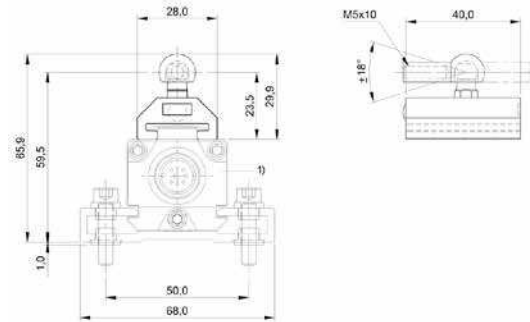
1) not included in scope of delivery, 2) Lateral offset, 3) Distance to BTL, 4) Null point offset for measuring range

BAM014P



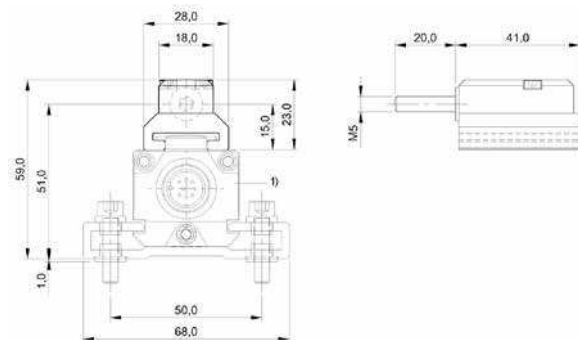
1) not included in scope of delivery, 2) Lateral offset, 3) Distance to BTL

BAM014W



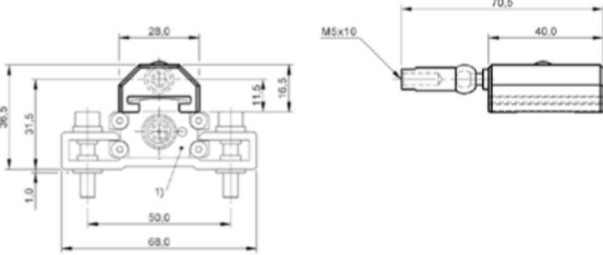
1) not included in scope of delivery

BAM014H



1) not included in scope of delivery

BAM014L



1) not included in scope of delivery

BAM01FC

Sensors

RFID

Machine Vision and
Optical Identification

Human Machine
Interfaces

Safety

Industrial Networking

Software and
System Solutions

Power Supply

Connectivity

Accessories



| | BAM01A2 BTL-S-3112-4Z | BAM01KA BTL-S-3112-4Z-SA10 | |
|------------------------|---------------------------------|--------------------------------------|--|
| Principle of operation | BTL magnet, float | BTL magnet, float | |
| Version | — | — | |
| Material | Stainless steel (1.4404) | Stainless steel (1.4404) | |
| Dimension | Ø 31 x 69 mm | Ø 31 x 69 mm | |
| Inside diameter | 11.7 mm | 11.7 mm | |
| Ambient temperature | -20...130 °C | -20...130 °C | |
| Productview | Page 554 | Page 554 | |



| | BAM0147 BTL2-S-4414-4Z-EX | BAM0148 BTL2-S-4414-4Z01-EX | |
|------------------------|-------------------------------------|---------------------------------------|--|
| Principle of operation | BTL magnet, float | BTL magnet, float | |
| Version | Ex | Ex | |
| Material | Stainless steel (1.4404) | Stainless steel (1.4404) | |
| Dimension | Ø 44 x 49 mm | Ø 44 x 49 mm | |
| Inside diameter | 13.0 mm | 13.0 mm | |
| Ambient temperature | -20...120 °C | -20...120 °C | |
| Productview | Page 554 | Page 554 | |



| BAM024J BTL2-S-3212-4Z | BAM0146 BTL2-S-4414-4Z | BAM0149 BTL2-S-5113-4K | BAM014C BTL2-S-6216-8P |
|----------------------------------|----------------------------------|----------------------------------|----------------------------------|
| BTL magnet, float | BTL magnet, float | BTL magnet, float | BTL magnet, float |
| — | — | — | — |
| Stainless steel (1.4404) | Stainless steel (1.4404) | Stainless steel (1.4404) | Stainless steel (1.4541) |
| Ø 32 x 53 mm | Ø 44 x 49 mm | Ø 50.9 x 52 mm | Ø 62 x 80 mm |
| 11.7 mm | 13.0 mm | 13.0 mm | 16.0 mm |
| -20...120 °C | -20...120 °C | -20...120 °C | -20...120 °C |
| Page 554 | Page 554 | Page 554 | Page 554 |



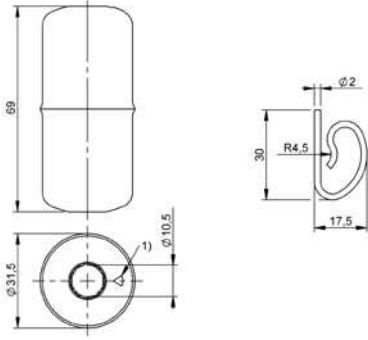
| BAM014A BTL2-S-5113-4K-EX | BAM014E BTL2-S-6216-8P-EX | BAM013H BTL-P-0814-GR-PAF | BAM013J BTL-P-1012-4R |
|-------------------------------------|-------------------------------------|-------------------------------------|---------------------------------|
| BTL magnet, float | BTL magnet, float | BTL magnet, rod | BTL magnet, rod |
| Ex | Ex | — | — |
| Stainless steel (1.4404) | Stainless steel (1.4541) | PA 6 | Aluminum |
| Ø 50.9 x 52 mm | Ø 62 x 80 mm | Ø 17.2 x 5 mm | Ø 25 x 8 mm |
| 13.0 mm | 16.0 mm | 14.0 mm | 12.0 mm |
| -20...120 °C | -20...120 °C | -40...60 °C | -40...100 °C |
| Page 555 | Page 555 | Page 555 | Page 555 |



| | BAM013K BTL-P-1012-4R-PA | BAM013L BTL-P-1013-4R | |
|------------------------|------------------------------------|---------------------------------|--|
| Principle of operation | BTL magnet, rod | BTL magnet, rod | |
| Version | — | — | |
| Material | PA | Aluminum | |
| Dimension | Ø 25 x 8 mm | Ø 32 x 8 mm | |
| Inside diameter | 12.0 mm | 13.0 mm | |
| Ambient temperature | -40...100 °C | -40...100 °C | |
| Productview | Page 555 | Page 555 | |

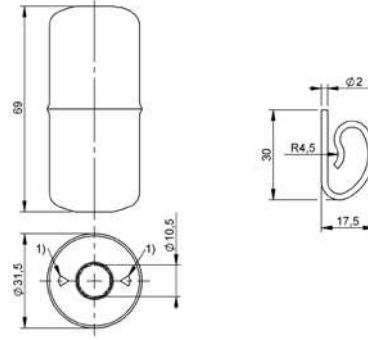


| BAM013M BTL-P-1013-4R-PA | BAM013P BTL-P-1013-4S | BAM013R BTL-P-1014-2R | BAM013Y BTL-P-1028-15R |
|------------------------------------|---------------------------------|---------------------------------|----------------------------------|
| BTL magnet, rod | BTL magnet, rod | BTL magnet, rod | BTL magnet, rod |
| — | — | — | — |
| PA | Aluminum | Aluminum | Aluminum |
| Ø 32 x 8 mm | Ø 32 x 8 mm | Ø 21.9 x 8 mm | Ø 65 x 8 mm |
| 13.0 mm | 13.0 mm | 13.5 mm | 28.0 mm |
| -40...100 °C | -40...100 °C | -40...100 °C | -40...85 °C |
| Page 555 | Page 555 | Page 555 | Page 555 |



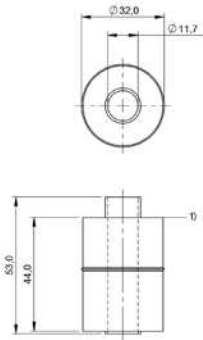
1) Designation for upper side

BAM01A2



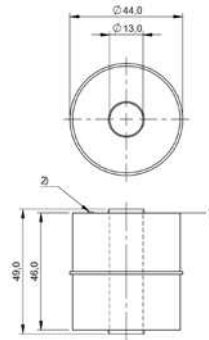
1) Designation for upper side

BAM01KA



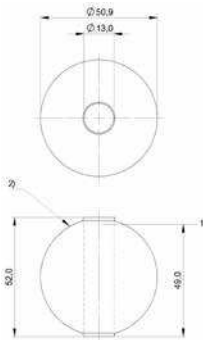
1) Reference point

BAM024J



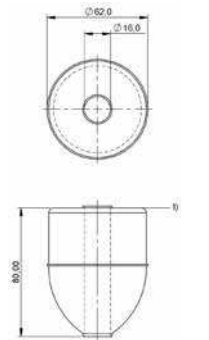
1) Reference point, 2) Designation for upper side

BAM0146



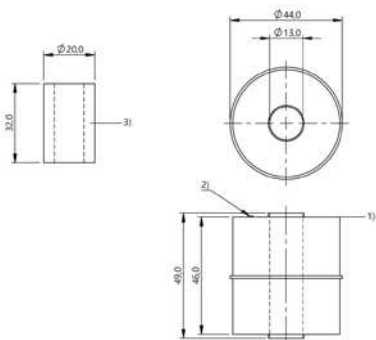
1) Reference point, 2) Designation for upper side

BAM0149



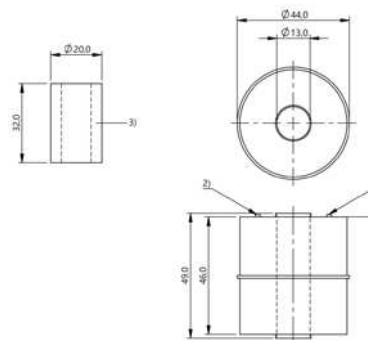
1) Reference point

BAM014C



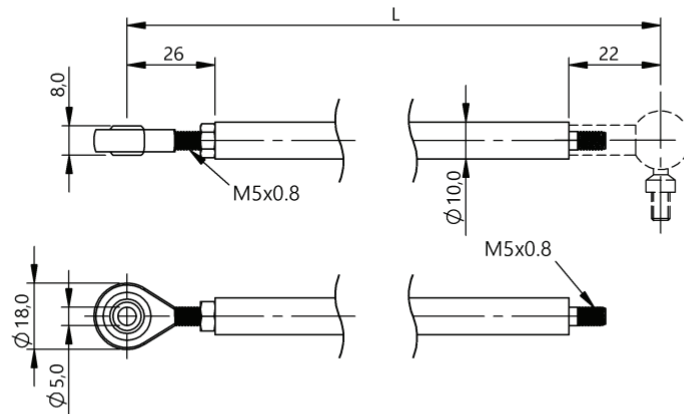
1) Reference point, 2) Designation for upper side, 3) Spacer

BAM0147



1) Reference point, 2) Designation for upper side, 3) Spacer

BAM0148



Basic features

| | |
|------------------|--|
| Gebruik | voor magnetostrictief lengtemeetsysteem BTL (positiegever) |
| Leveromvang | Montagegastang Montagegastang |
| Toepassing | Meting |
| Uitvoering | Scharnierstang BTL |
| Vorm | Klemstang Klemstang |
| Werkingsprincipe | Scharnierstang BTL |

Material

| | |
|----------------------|---------------------------------------|
| Behuizingsmateriaal | Aluminium, geanodiseerd, geanodiseerd |
| Oppervlakbescherming | geanodiseerd geanodiseerd |

Mechanical data

| | |
|-------------|--|
| Afmeting | Ø 10 x xxxx mm |
| Bevestiging | Ø 5H7 oog/M5x0.8 stekker |
| Inbrengen | Mechanische scharnierstang Mechanische scharnierstang |